



CONE CRUSHER

-HN Series



- ▷ 1000HN
- ▷ 1150HN
- ▷ 1300HN
- ▷ 1370HN
- ▷ 1500HN
- ▷ 1680HN

Feature



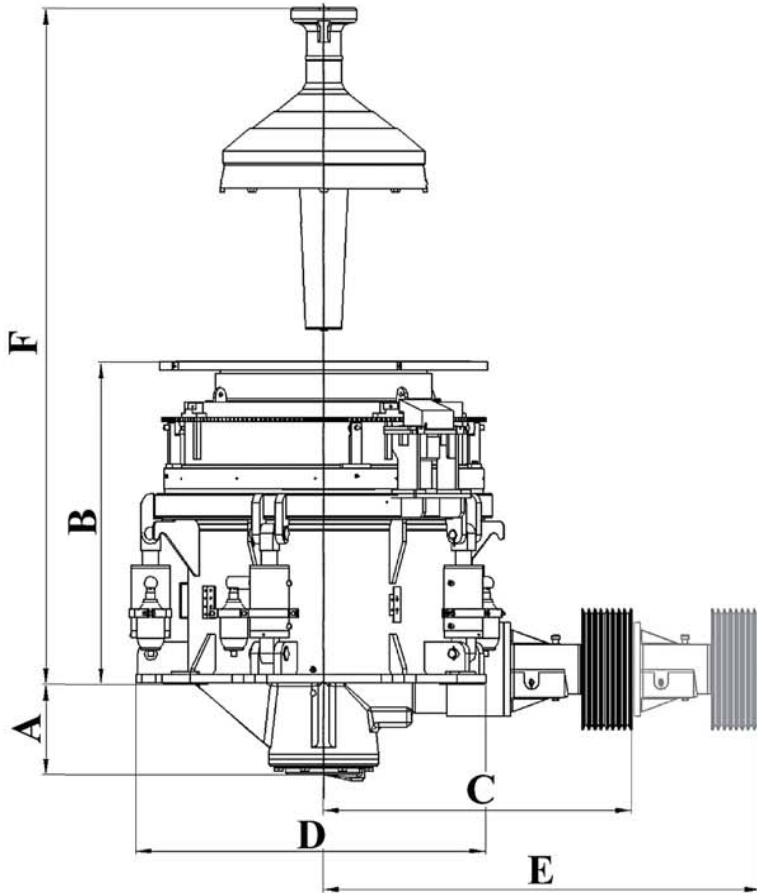
1. Completely hydraulic top cell locking, release, and gap adjustment, for simple operation from the control room: fast, convenient, time-saving.
2. Main body locking by hydraulic cylinder and nitrogen accumulator, superseding traditional release spring, and working not only as protection from un-crushable material and quick restoration, as with the traditional spring type cone crusher, but also with chamber clearing function.
3. Same wear parts as traditional cone crusher, to save on stock parts.
4. Hydraulics fully integrated with electric control, saves operating time.
5. Overall production increase of 5%-10%.



MCC1300HN / 2008 / Saudi Arabia / 250 TPH

Quality-Service-Friendship

General Dimension

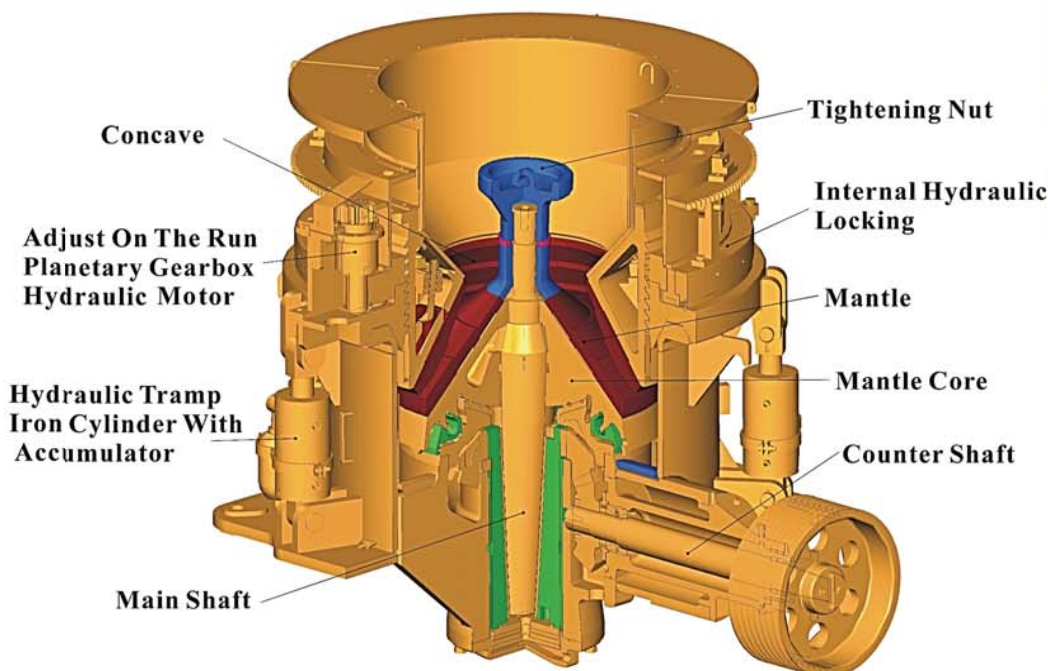


Dimensions [mm]	Model No.		
	1000HN	1150HN	1300HN
A	385	503	600
B	1763	1735	2011
C	1546	1670	1920
D	1530	1760	2020
E	2200	2415	2800
F	2900	3000	3500

Dimensions [mm]	Model No.		
	1370HN	1500HN	1680HN
A	605	720	850
B	1995	2380	2220
C	1965	2216	2107
D	2200	2450	2860
E	2830	3170	3550
F	3800	4300	4600

All parameters are for reference only and subject to change without notice.

Profile Construction



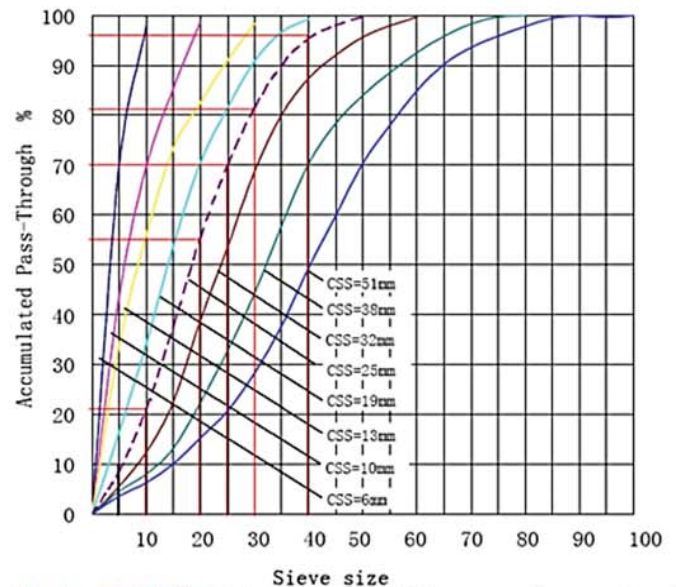
General Specifications

Model No.	Max. Feed Opening [mm]	Min. Discharge Opening [mm]	RPM	Motor Rating [kW]	Throughput (TPH) at Closed Side Discharge Opening [mm]										Weight [KG]
					6	10	13	16	19	22	25	38	51	64	
MCC1000HN	160	13	630	90~110			88	110	148	165	192	258			11800
MCF1000HN	115	10	630	90~110		71	82	99	132	148	165			11800	
MCS1000HN	80	8	630	90~110		57	65	75	82	105				11800	
MCSS1000HN	50	6	630	90~110	55	60	70	80	100					11800	
MCC1150HN	180	13	610	110~132			126	148	165	198	220	286		16250	
MCF1150HN	130	10	610	110~132		110	120	132	148	181	192			16250	
MCS1150HN	90	10	610	110~132		88	115	121	154					16250	
MCSS1150HN	60	6	610	110~132	66	81	115	121	143					16250	
MCC1300HN	200	16	610	132~160				165	198	220	253	341	429	22250	
MCF1300HN	150	13	610	132~160			126	154	176	209	231			22250	
MCS1300HN	102	10	610	132~160		99	126	159	176					22250	
MCSS1300HN	70	8	610	132~160		97	121	148	170					22250	
MCC1370HN	215	19	610	185~220					220	242	286	363	464	25900	
MCF1370HN	160	16	610	185~220				170	198	220	242			25900	
MCS1370HN	115	13	610	185~220			165	209	231	253				25900	
MCSS1370HN	76	8	610	185~220		134	162	203	220					25900	
MCC1500HN	235	22	560	185~225						291	330	440	565	620	36450
MCF1500HN	175	19	560	185~225					236	264	291	352			36450
MCS1500HN	130	13	560	185~225			198	231	258	280	302				36450
MCSS1500HN	90	10	560	185~225		162	195	242	292						36450
MCC1680HN	267	22	560	250~300						363	429	577	720	797	44300
MCF1680HN	203	16	560	250~300				253	297	330	363				44300
MCS1680HN	140	13	560	250~300			203	248	290	374					44300
MCSS1680HN	95	10	560	250~300		198	242	286	368						44300

Capacity/ throughput based on continuous regulated feed of clean, dry limestone of normal hardness with a bulk density of 1.6 ton / m³. Capacity may vary +/- 25% with the size and nature of the rock and the working conditions of the plant.



General Gradation Curves



MINYU®
Minyu Machinery Corp., Ltd.
 Telephone: +886-2-8751-2022
 Fax: +886-2-8751-2051
 E-Mail: office@minyu.com
 Address: 4F., No.431, Ruiguang Rd., Neihu Dist., Taipei City 11492, Taiwan.